


Winkelgelenke SA SA45-ES-2RS-DURBAL - SA45-ES-2RS-DURBAL

<https://www.123kugellager.ch/kugellager-gehauselager/gelenkkopfe-gelenklager/sa/sa45-es-2rs-durbal>

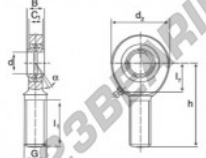
SA45-ES-2RS



**male thread:
lubrication
is necessary,
according to
DIN ISO 12240-4,
series E**



Description: DIN ISO rod end E series. Made of spherical plain bearing DGE...E (ES) pressed into rod end body. Sliding combination steel / steel. Maintenance necessary. Bore diameter $d \geq 15$ with grease nipple in rod end body and lubrication groove and hole in inner and outer ring. Bore diameter $d \geq 15$ type DSA...ES-2RS with additional seals also available.



**Ball end body:
surface zinc plated**

**Sliding combination:
steel / steel**

**Inner ring:
bearing steel, hardened, ground and phosphated**

**Outer ring:
bearing steel, hardened, ground and phosphated**

**Lubrication:
lubrication is necessary**

| order number | | measurement [mm] | | | | |
|-------------------|------------------|------------------|----------|----|----------------|----------------|
| right hand thread | left hand thread | d | G | B | C ₁ | d ₂ |
| SA 45 ES (-2RS) | | 45 | M 42 x 3 | 32 | 27,0 | 102 |

| type | measurement [mm] | | | n | load rating | weight |
|-----------------------|--------------------|----------------|-----|-----|---------------------|--------|
| | l ₁ min | l ₂ | h | [°] | C ₀ [kN] | [kg] |
| SA / SAL 45 ES (-2RS) | 94 | 51 | 163 | 7 | 240,0 | 2,600 |

PRODUKTMERKMALE

| | |
|------------------|---------------|
| Marke | DURBAL |
| N° Ean13 | 3663952498638 |
| Innendurchmesser | 45 mm |
| Innendurchmesser | 1.772" inch |
| Außendurchmesser | 102 mm |
| Außendurchmesser | 4.016" inch |
| Dicke | 32 mm |
| Dicke | 1.26" inch |
| Typ | SA |
| Gewicht | 2600 g |
| Gewinde | Rechtsgewinde |
| Schmierung | mit |
| Verpackung | 1 |

kontakt@123kugellager.ch

+49 (0) 800 001 076 6

CRT4 de Lesquin 60 Rue Du Haut De Sainghin 59273 Fretin FRANCE