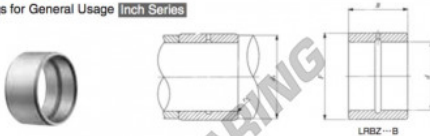


## Innenringe LRBZ485632-B-IKO - LRBZ485632-B-IKO

<https://www.123kugellager.ch/kugellager-gehauselager/nadellager/innenringe/lrbz485632-b-iko>

**IKO**  
**INNER RINGS**  
Inner Rings for General Usage Inch Series



Shaft dia. mm (inch)	Identification number		Mass (Ref.) g	Boundary dimensions mm(inch)				Standard mounting dimensions mm <sup>(*)</sup>		
				<i>d</i>	<i>F</i>	<i>B</i>	<i>d</i> <sub>s</sub>		<i>r</i> <sub>as max</sub>	
	—	LRBZ 485632 B					Min.	Max.	Max.	
76.200 (3)			640	76.200 (3)	88.900 (3) <sup>1/2</sup>	51.050	83.5	86	1.5	
Assembled bearings										
BR 567232UU										

Note(\*) Maximum allowable fillet corner radius of shaft.  
Remark: LRBZ has no oil hole. LRB and LRBZ - B are provided with an oil groove and an oil hole.

### PRODUKTMERKMALE

Marke	IKO
N° Ean13	3663952421070
Innendurchmesser	76.2 mm
Außendurchmesser	88.9 mm
Dicke	51.05 mm
Verpackung	1

[kontakt@123kugellager.ch](mailto:kontakt@123kugellager.ch)

+49 (0) 800 001 076 6

CRT4 de Lesquin 60 Rue Du Haut De Sainghin 59273 Fretin FRANCE