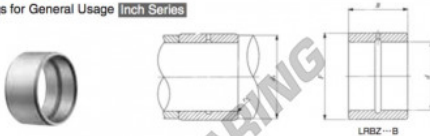


Innenringe LRBZ242820-B-IKO - LRBZ242820-B-IKO

<https://www.123kugellager.ch/kugellager-gehauselager/nadellager/innenringe/lrbz242820-b-iko>

IKO
INNER RINGS
Inner Rings for General Usage Inch Series



Shaft dia. mm (inch)	Identification number	Mass (Ref.) g	Boundary dimensions mm(inch)				Standard mounting dimensions mm ^(*)		
			<i>d</i>	<i>F</i>	<i>B</i>	<i>d</i> _s Min.	<i>d</i> _s Max.	<i>r</i> _{as} Max.	
38.100 (1 1/2)	— LRBZ 242820 B	100	38.100 ± 0.015	44.450 ± 0.025	32.000	43.3	43.4	0.6	

Assembled bearings

BR 283720UU

Note(*) Maximum allowable fillet corner radius of shaft.
Remark: LRBZ has no oil hole. LRB and LRBZ - B are provided with an oil groove and an oil hole.

PRODUKTMERKMALE

Marke	IKO
N° Ean13	3663952420721
Innendurchmesser	38.1 mm
Innendurchmesser	1 1/2" inch
Außendurchmesser	44.45 mm
Außendurchmesser	1 3/4" inch
Dicke	32 mm
Dicke	1.26" inch
Verpackung	1

kontakt@123kugellager.ch

+49 (0) 800 001 076 6

CRT4 de Lesquin 60 Rue Du Haut De Sainghin 59273 Fretin FRANCE