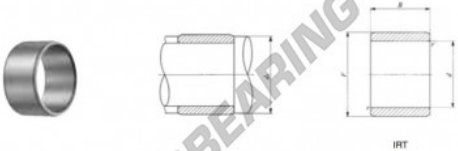


## Zubehör IRT2216-IKO - IRT2216-IKO

<https://www.123kugellager.ch/kugellager-gehauselager/gehauselager/zubehor/irt2216-iko>

**IKO**  
**INNER RINGS**  
Inner Rings for Shell Type Needle Roller Bearings



Shaft dia. mm	Identification number	Mass (Ref.) g	Boundary dimensions mm				Standard mounting diameters mm		Assembled bearings		
			d	F	B	r <sub>s</sub> min	r <sub>s</sub> (1) Min.	d <sub>4</sub> Max.	TA--Z (TAM)	TLA--Z (TLAM)	YT YTL
22	<b>IRT 2216</b>	19.1	22	26	16.5	0.3	24	25	<b>TA 2616Z</b>	—	<b>YT 2616</b>

Note(1) Minimum allowable value of chamfer dimension r  
Remark No oil hole is provided.

## PRODUKTMERKMALE

Marke	IKO
N° Ean13	3663952410760
Innendurchmesser	22 mm
Außendurchmesser	26 mm
Dicke	16.5 mm
Verpackung	1

[kontakt@123kugellager.ch](mailto:kontakt@123kugellager.ch)

+49 (0) 800 001 076 6

CRT4 de Lesquin 60 Rue Du Haut De Sainghin 59273 Fretin FRANCE