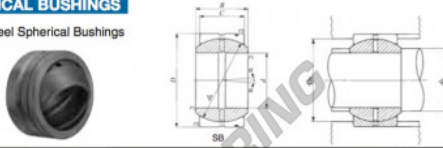


Gelenklager GE SB120190105-IKO - SB120190105-IKO

<https://www.123kugellager.ch/kugellager-gehauselager/gelenkkopfe-gelenklager/ge/sb120190105-iko>

IKO
SPHERICAL BUSHINGS
Steel-on-steel Spherical Bushings



Shaft dia. mm	Identification number		Mass (Ref.) kg	Boundary dimensions mm						Permissible tilting angle degree
	d	D		B	C	d_k	r_1	r_2		
120	SB 120190105		12.4	120	190	105	90	175	1	5
Mounting dimensions mm			Dynamic load capacity C_d N	Static load capacity C_s N						
d_s	D_s	d_s								
Min.	Max. ⁽¹⁾	Min.								
125.5	140	184.5	162	1 540 000	9 270 000					

Notes⁽¹⁾ Minimum allowable value of chamfer dimensions r_1 and r_2 .
⁽²⁾ When Spherical Bushings are used with full tilting angle, the shaft shoulder dimension must be less than the maximum value of d_s .
Remark: 1. The inner ring and the outer ring have an oil groove and two oil holes, respectively.
2. Not provided with prepacked grease. Perform proper lubrication for use.

PRODUKTMERKMALE

Marke	IKO
N° Ean13	3663952391595
Innendurchmesser	120 mm
Außendurchmesser	190 mm
Dicke	105 mm
Typ	GE
Schmierung	ohne
Verpackung	1

kontakt@123kugellager.ch

+49 (0) 800 001 076 6

CRT4 de Lesquin 60 Rue Du Haut De Sainghin 59273 Fretin FRANCE