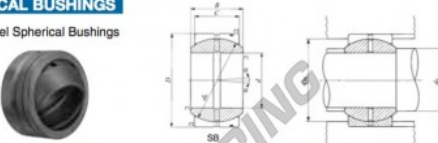


## Gelenklager GE SB6010053-IKO - SB6010053-IKO

<https://www.123kugellager.ch/kugellager-gehauselager/gelenkkopfe-gelenklager/ge/sb6010053-iko>

**IKO**  
**SPHERICAL BUSHINGS**  
Steel-on-steel Spherical Bushings



Shaft dia. mm	Identification number		Mass (Ref.) kg	Boundary dimensions mm						Permissible tilting angle degree
	$d$	$D$		$B$	$C$	$d_k$	$r_1$	$r_2$	$\alpha$	
60	SB 6010053		1.70	60	100	53	45	90	0.6	6
Mounting dimensions mm				Dynamic load capacity $C_d$		Static load capacity $C_s$				
$d_s$		$D_s$		$C_d$		$C_s$				
Min.	Max. <sup>(2)</sup>	Min.	Max.	N	N	N	N			
64.5	72.5	95.5	83.5	397 000	2 380 000					

Notes<sup>(1)</sup> Minimum allowable value of chamfer dimensions  $r_1$  and  $r_2$ .  
<sup>(2)</sup> When Spherical Bushings are used with full tilting angle, the shaft shoulder dimension must be less than the maximum value of  $d_s$ .  
Remark: The inner ring and the outer ring have an oil groove and two oil holes, respectively.  
2. Not provided with prepacked grease. Perform proper lubrication for use.

### PRODUKTMERKMALE

Marke	IKO
N° Ean13	3663952391373
Innendurchmesser	60 mm
Außendurchmesser	100 mm
Dicke	53 mm
Typ	GE
Schmierung	ohne
Verpackung	1

[kontakt@123kugellager.ch](mailto:kontakt@123kugellager.ch)

+49 (0) 800 001 076 6

CRT4 de Lesquin 60 Rue Du Haut De Sainghin 59273 Fretin FRANCE