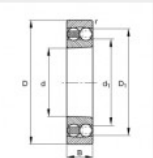


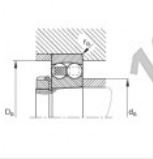
## Pendelkugellager 1318-K-M-C3-FAG - 1318-K-M-C3-FAG

<https://www.123kugellager.ch/kugellager-gehauselager/rillenkugellager/pendelkugellager/1318-k-m-c3-fag>

**Self-aligning ball bearings 1318-K-M-C3**  
main dimensions to DIN 633, with tapered bore, taper 1:12



d	90 mm
D	190 mm
B	43 mm
D1	159.9 mm
D1max	176 mm
d1	124.4 mm
d1max	104 mm
Fa	2.5 mm
Faw	3 mm
rmin	3 mm
m	6.27 kg Mass
C	106000 N Basic dynamic load rating, radial
e	0.22
Y1	2.83
Y2	4.38
C0	42500 N Basic static load rating, radial
C10	2.97
n0	5300 1/min Limiting speed
nB	5800 1/min Reference speed
C10	2230 N Fatigue limit load, radial



### PRODUKTMERKMALE

Marke	FAG
N° Ean13	3663952346687
Innendurchmesser	90 mm
Außendurchmesser	190 mm
Dicke	43 mm
Gewicht	6040 g
Verpackung	1
Standard	Ohne Standard

[kontakt@123kugellager.ch](mailto:kontakt@123kugellager.ch)

+49 (0) 800 001 076 6

CRT4 de Lesquin 60 Rue Du Haut De Sainghin 59273 Fretin FRANCE