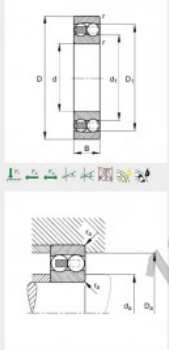


## Pendelkugellager 1220-M-FAG - 1220-M-FAG

<https://www.123kugellager.ch/kugellager-gehauselager/rillenkugellager/pendelkugellager/1220-m-fag>

**Self-aligning ball bearings 1220-M**  
main dimensions to DIN 630



d	100 mm
D	180 mm
B	34 mm
D <sub>1</sub>	155.2 mm
D <sub>2max</sub>	168 mm
d <sub>1</sub>	127.7 mm
d <sub>2min</sub>	112 mm
r <sub>1max</sub>	2.1 mm
r <sub>2min</sub>	2.1 mm
m	3.99 kg Mass
C	70000 N Basic dynamic load rating, radial
e	0.18
Y	3.58
Y <sub>1</sub>	5.53
C <sub>0</sub>	29500 N Basic static load rating, radial
C <sub>1</sub>	3.75
n <sub>G</sub>	5600 1/min Limiting speed
n <sub>R</sub>	6100 1/min Reference speed
C <sub>2r</sub>	1550 N Fatigue limit load, radial

### PRODUKTMERKMALE

Marke	FAG
N° Ean13	3663952345895
Innendurchmesser	100 mm
Außendurchmesser	180 mm
Dicke	34 mm
Verpackung	1

[kontakt@123kugellager.ch](mailto:kontakt@123kugellager.ch)

+49 (0) 800 001 076 6

CRT4 de Lesquin 60 Rue Du Haut De Sainghin 59273 Fretin FRANCE